

# Intermediate Free-Unknown 2



Lucca 1-3/9/23		Form A
Pilot ID	AeCI Intermediate Unknown2	
		Flight #

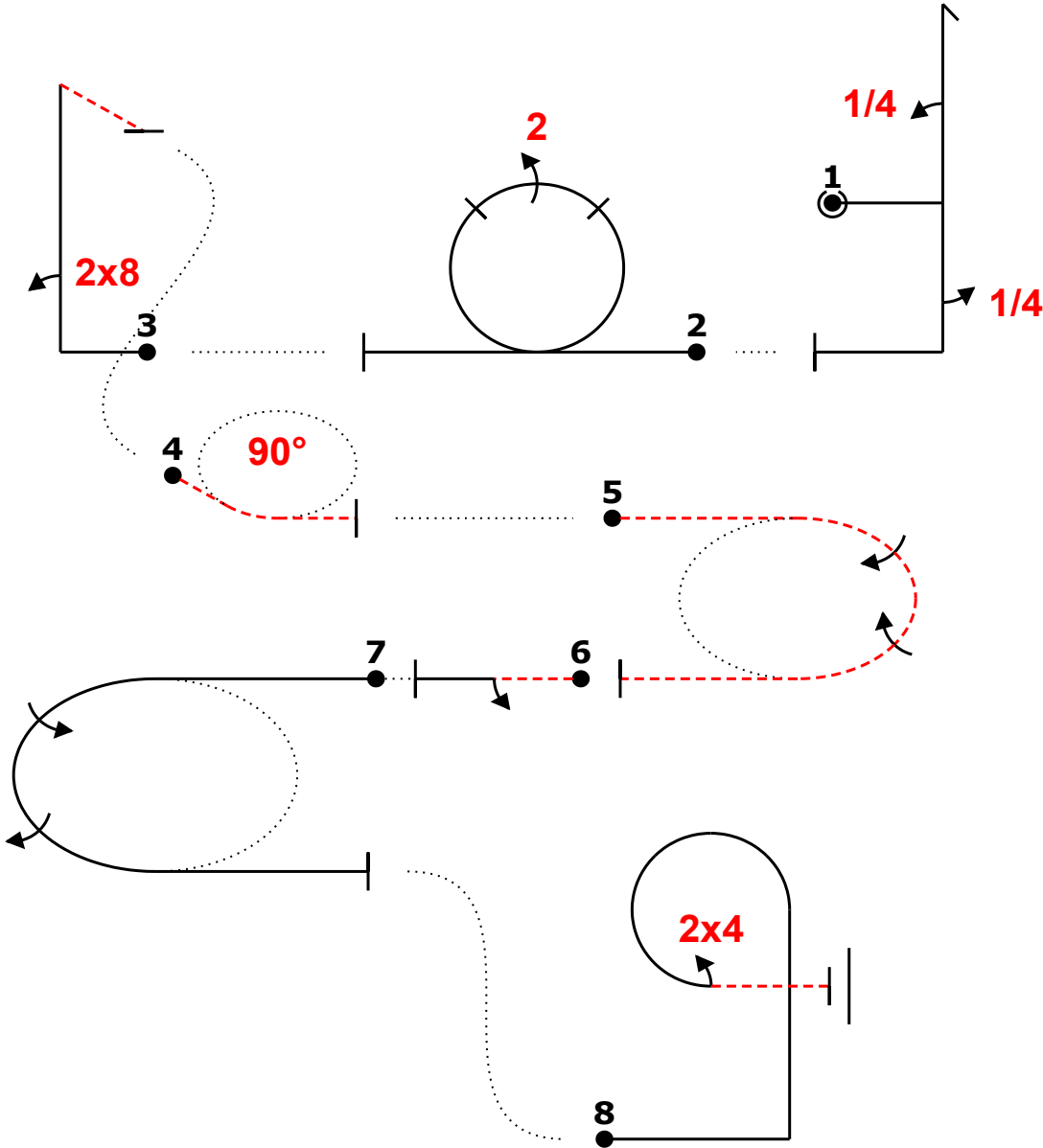
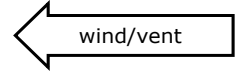
No	Symbol	Cat. No.	K	Total K	Grade	Pos	Remarks	Item	K	Grade	
1		5.2.1.1 9.1.1.1 9.1.5.1	17 6 2	<b>25</b>	.			Pos.	30		
								Harm.	0		
2		7.4.1.1 9.2.3.4	10 9	<b>19</b>	.			Fig K		Total K	
								135		165	
<b>Penalties</b>											
								Too Low			
								Too High			
								Interruptions			
								Insertions			
								Trg Violation			
								Wing Rocks			
								Disqual Fig			
								Other(note...)			
<b>Final Freestyle</b>											
								Duration	Min	Sec	
<b>Judges Details</b>											
								Signature			
								Name			
								Number			
3		1.1.7.1 9.8.1.1	9 7	<b>16</b>	.						
4		2.1.1.2	4	<b>4</b>	.						
5		2.2.5.2	23	<b>23</b>	.						
6		1.1.1.4 9.1.3.2	2 4	<b>6</b>	.						
7		2.2.6.1	25	<b>25</b>	.						
8		8.6.2.1 9.4.3.2	12 5	<b>17</b>	.						

\_\_\_\_\_ Pilot  
 ..... A/C

# Intermediate Free-Unknown 2

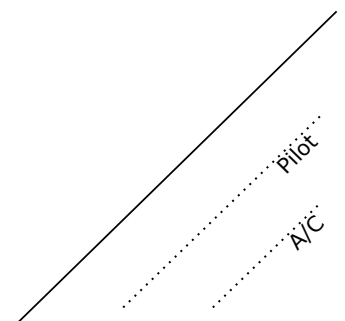


Lucca 1-3/9/23		Form B
Pilot ID	AeCI Intermediate Unknown2	Flight #



Power			
Fig	Aresti	K	
1	5.2.1.1	17	25
	9.1.1.1	6	
	9.1.5.1	2	
2	7.4.1.1	10	19
	9.2.3.4	9	
3	1.1.7.1	9	16
	9.8.1.1	7	
4	2.1.1.2	4	4
5	2.2.5.2	23	23
6	1.1.1.4	2	6
	9.1.3.2	4	
7	2.2.6.1	25	25
8	8.6.2.1	12	17
	9.4.3.2	5	
<b>Total K = 135</b>			

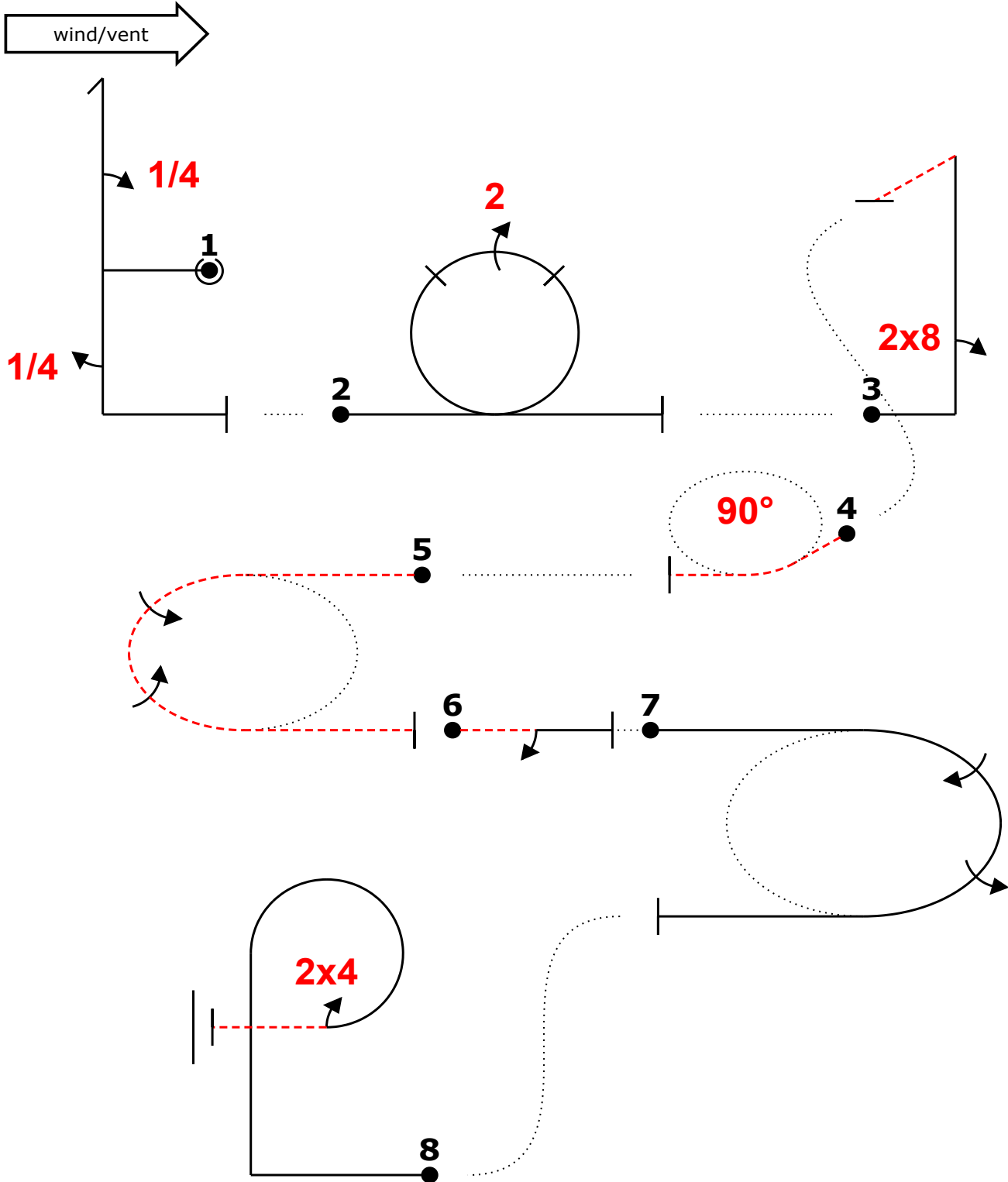
3% 4h4~ (-2,0) 1% ~o22~ (-7,0) /v|"8... (-2,16) -j- (9,0) 5% -2j2- -2 (2,0) 8% 2jio2 (8,14) ~+rp24-



# Intermediate Free-Unknown 2



Lucca 1-3/9/23		Form C
Pilot ID	AeCI Intermediate Unknown2	Flight #



3% 4h4~ (-2,0) 1% ~o22~ (-7,0) /v|"8... (-2,16) -j- (9,0) 5% -2j2- -2 (2,0) 8% 2jio2 (8,14) ~+rp24-

